



Standard Preparation 1000 mm Open Wall Cupboard

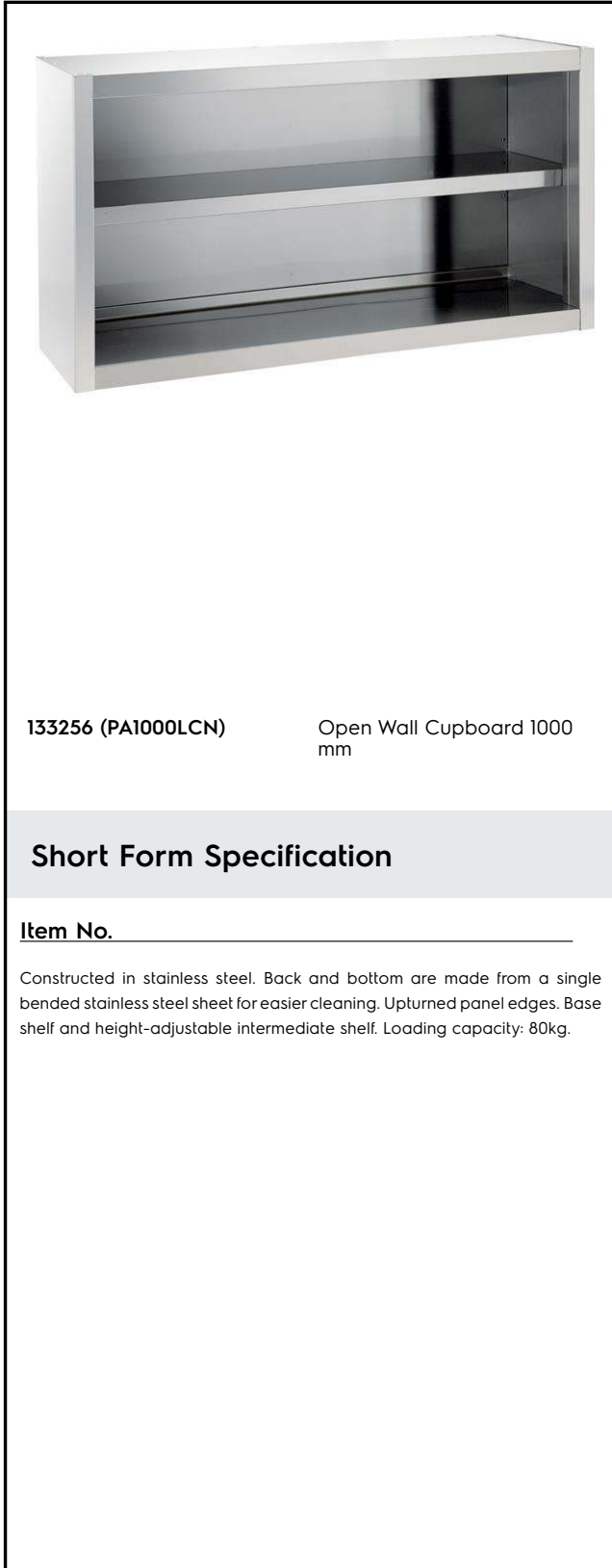
ITEM # _____

MODEL # _____

NAME # _____

SIS # _____

AIA # _____



133256 (PA1000LCN)

Open Wall Cupboard 1000 mm

Short Form Specification

Item No. _____

Constructed in stainless steel. Back and bottom are made from a single bended stainless steel sheet for easier cleaning. Uprturned panel edges. Base shelf and height-adjustable intermediate shelf. Loading capacity: 80kg.

Construction

- Features an internal shelf which can be positioned at three different levels.
- Back and bottom panels composed of a single bended sheet for easier cleaning.

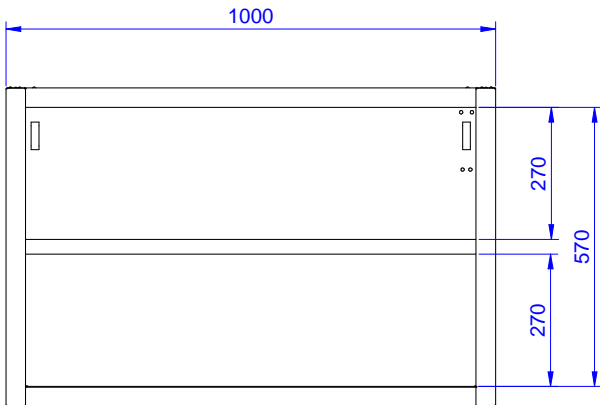
Optional Accessories

- Lighting kit with led for wall cupboards (1000mm and 1200mm) PNC 850709
- Lighting kit with led for wall cupboards (1400mm, 1600mm and 1800mm) PNC 850710

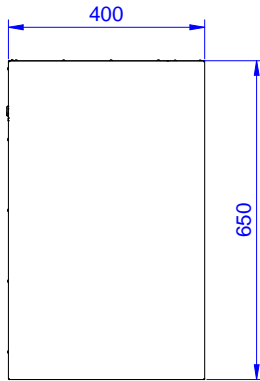
APPROVAL: _____



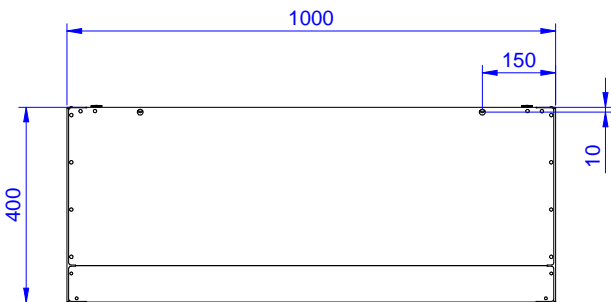
Front



Side



Top



Key Information:

External dimensions, Width:	
133256 (PA1000LCN)	1000 mm
External dimensions, Depth:	400 mm
External dimensions, Height:	650 mm